

# AntaRx-AUX

Auxillary antenna compatible with the AntaRx receiver



**Multi-frequency, multi-constellation GNSS antenna, in a rugged, IP69k-rated housing for robust operation in the harshest environments. This antenna is ideally suited to work in combination with the AntaRx smart antenna, for installations requiring heading.**

Adding an auxiliary GNSS antenna to your receiver enables heading and pitch or heading and roll measurements without the need for movement.

## KEY FEATURES

- ▶ **Full-constellation, triple-frequency satellite tracking**
- ▶ **Integrates seamlessly with AntaRx-S3 or AntaRx-Si3 smart antennas, to provide precise heading & pitch or heading & roll capability**
- ▶ **Ruggedized design**

# AntaRx-AUX

## FEATURES

### Signals

GPS	L1, L2, L5
GLONASS	G1, G2, G3
Beidou	B1, B2, B3
Galileo	E1, E2, E5a, E5b, E6
L-Band (MSS)	

### Polarisation

RHCP

### Axial Ratio

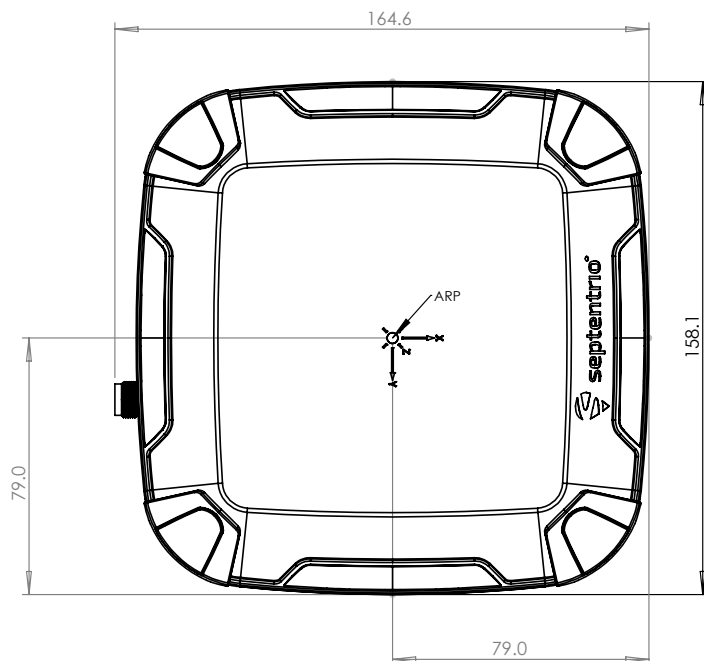
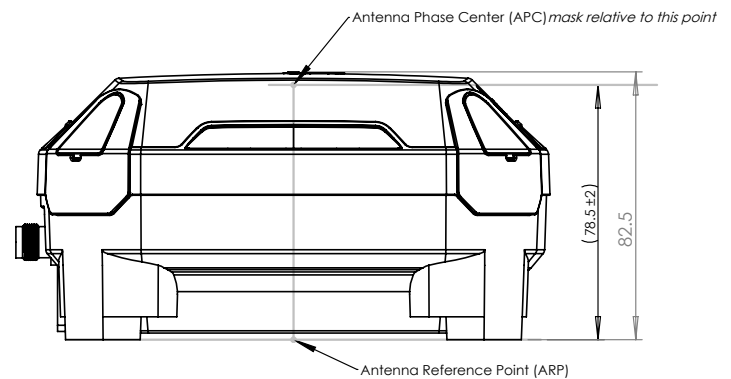
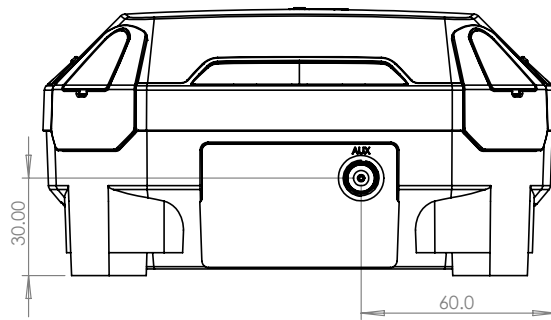
3 dB Max

### Amplifier

Gain	$28 \pm 2$ dB
Noise Figure	1.5 dB max
Input Voltage	+3 to 12 VDC
Current	50 mA (typ)
Impedance	50 $\Omega$
VSWR	$\leq 2.0:1$

### Physical and Environmental

Finish	White top with orange base
Weight	700 g
Size	158 x 166 x 83 mm
Connector	TNC
Temperature	-40° C to +85° C
Certification	RoHS, WEEE, ISO 9001-2015



### EMEA

Greenhill Campus (HQ)  
Interleuvenlaan 15i  
3001 Leuven, **Belgium**

Espoo, **Finland**

### Americas

Suite 200  
23848 Hawthorne Blvd  
Torrance, CA 90505, **USA**

[septentrio.com/contact](http://septentrio.com/contact)

### Asia-Pacific

Shanghai, **China**  
Yokohama, **Japan**  
Seoul, **Korea**

[septentrio.com](http://septentrio.com)

