

LOW FREQUENCY ECHO SOUNDER / ALTIMETER KIT (ETHERNET COMMUNICATIONS)

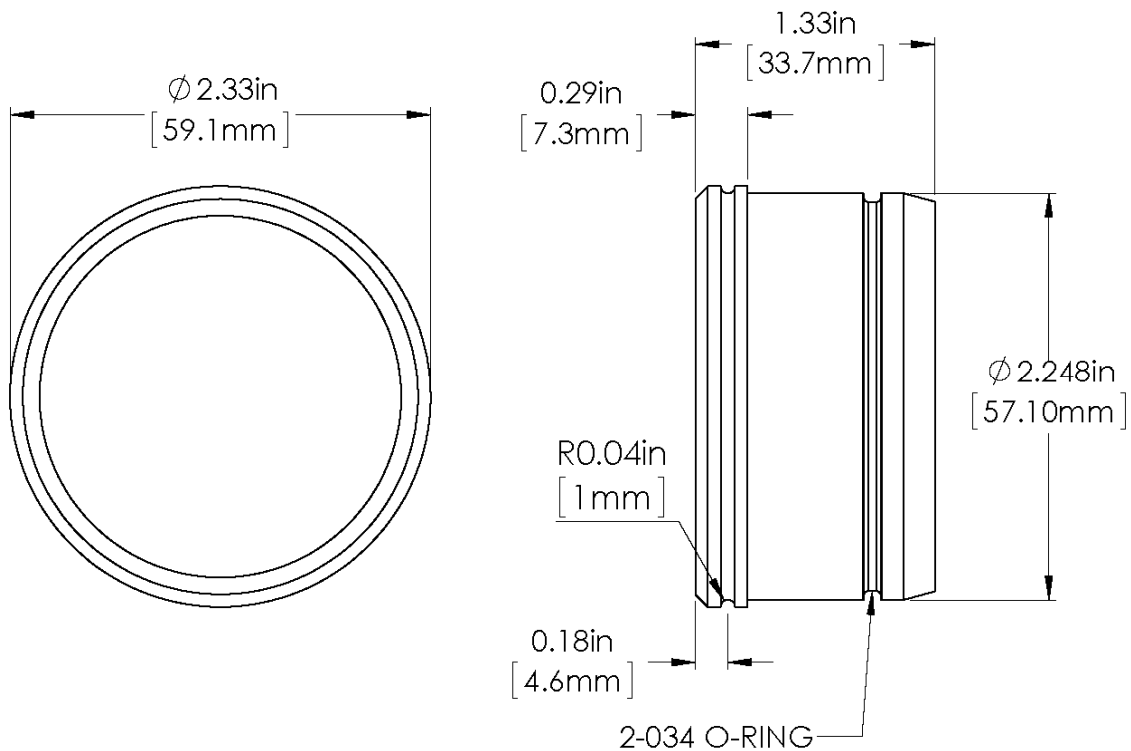


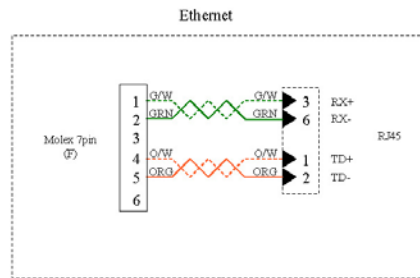
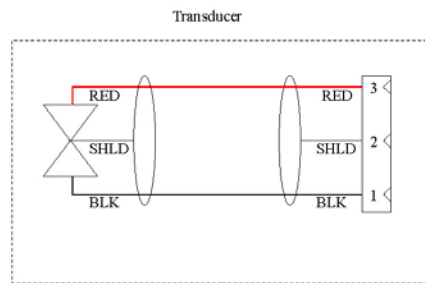
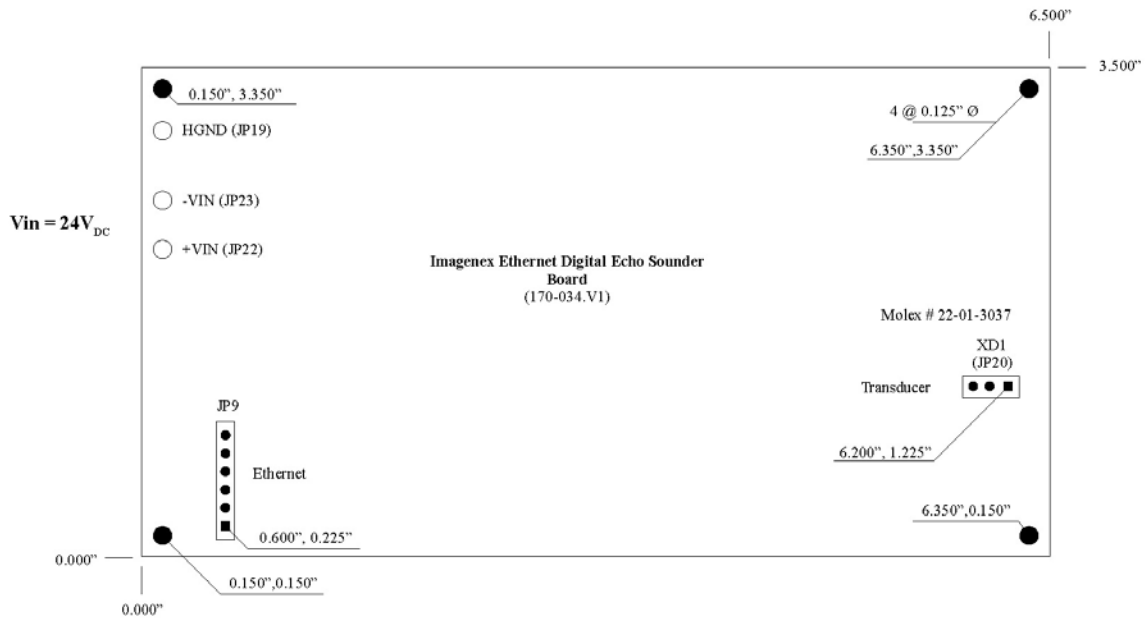
Shown with Narrow PCB option

HARDWARE SPECIFICATIONS:	
INTERFACE	Ethernet
FREQUENCY	120 kHz
RANGE	1 m – 300 m (3.3' – 985')
TRANSDUCER	Conical beam
TRANSDUCER BEAM WIDTH	20°
TRANSMIT PULSE LENGTH	1 millisecond
RANGE RESOLUTION	0.1% of range
MIN. DETECTABLE RANGE	80 cm (31.5")
POWER SUPPLY	Nominal 24 VDC (22 VDC – 33 VDC) at less than 2.5 Watts
ELECTRONICS DIMENSIONS	120.65 mm (4.75") x 120.65 mm (4.75") 111.76 mm (4.4") between mounting holes or Narrow PCB Option: 88.9 mm (3.5") x 165.1 mm (6.5") 81.28 mm (3.2"), 157.48 mm (6.2") between mounting holes
TRANSDUCER DIMENSIONS	See drawing on p. 2
WEIGHT: In Air	
Transducer	271 g (0.6 lbs)
Electronics	121 g (0.3 lbs)

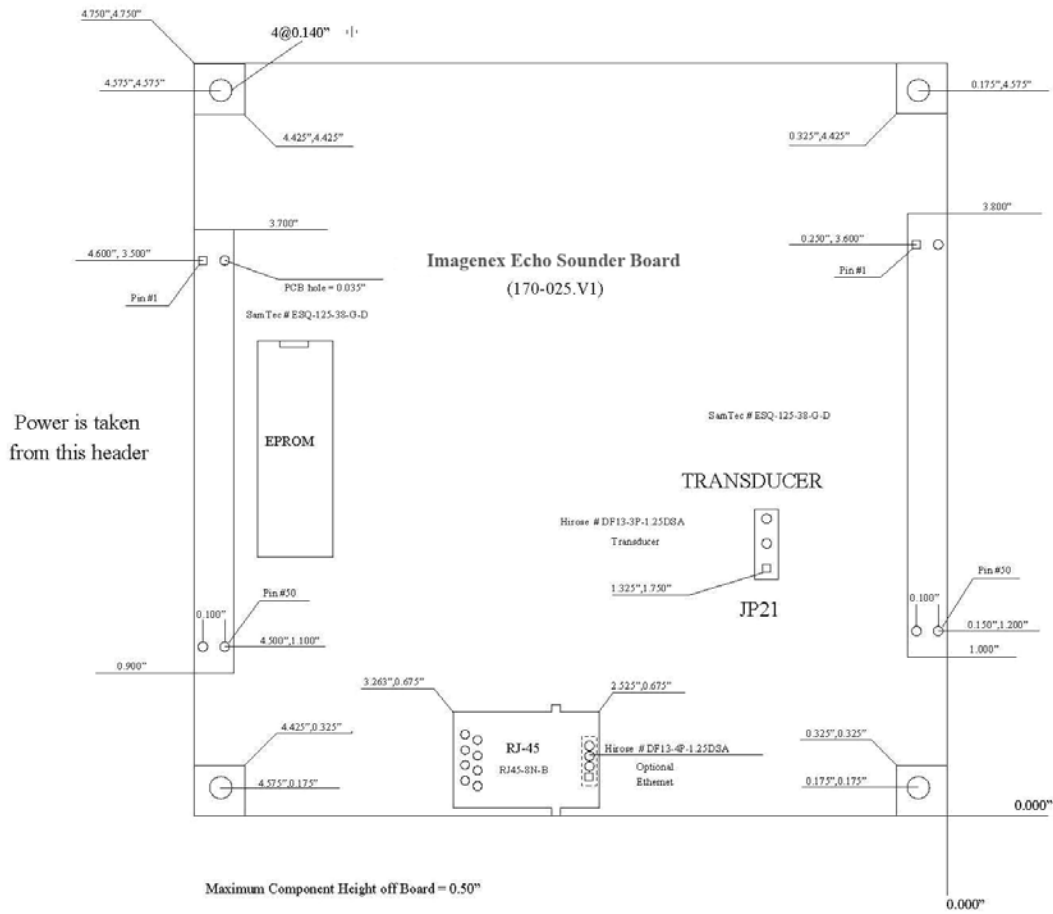
SOFTWARE SPECIFICATIONS:	YellowFin_AUV_ES.exe
WINDOWS™ OPERATING SYSTEM	Windows™ XP, Vista, 7, 8, 10
RANGE SCALES	10m, 20m, 30m, 40m, 50m, 60m, 80m, 100m, 150m, 200m, 250m, 300m
FILE FORMAT	(filename).872
RECOMMENDED MINIMUM COMPUTER REQUIREMENTS:	800MHz Pentium 3 256 MB RAM 2 GB Hard Disk 1024 x 768 x 256 colour graphics

COMMUNICATIONS PROTOCOL SPECIFICATIONS:	
ETHERNET INTERFACE SPECIFICATION (v1.00)	Filename: AUV Echo Sounder Board Ethernet Specification.pdf
SOURCE CODE AVAILABLE FOR TESTING	RecordData_AUV_ES.cpp





Narrow PCB Option



ORDERING INFORMATION:		
120 kHz UNIT	Standard	896-000-200
IP Address*	Option	-020
Narrow PCB	Option	-040

*Note: Standard IP Address is TBA
 A different IP Address may be specified upon ordering.

Product and company names listed are trademarks or trade names of their respective companies.